



# FEED AND BIOFUEL CONDITIONER TYPE CM902PH



Optimized pellet quality from the first batch. Feed compounds must be conditioned correctly for pelleting/extrusion in order to obtain good pellet quality and effective utilization of the pelleting/extrusion installation.

Over the years, experience has shown that it is quite a challenge to reach a temperature of 84 °C in the first batch and ensure pasteurization of the material. With the CM902PH and CM902PH-K, it is now possible to reach at least 84 °C in the first

production batch, ensuring that the material will be as hygienic as possible. The closable inlet and outlets ensure that the material does not leave the conditioner before the temperature has reached 84 °C at the integrated temperature sensors.

## ANDRITZ

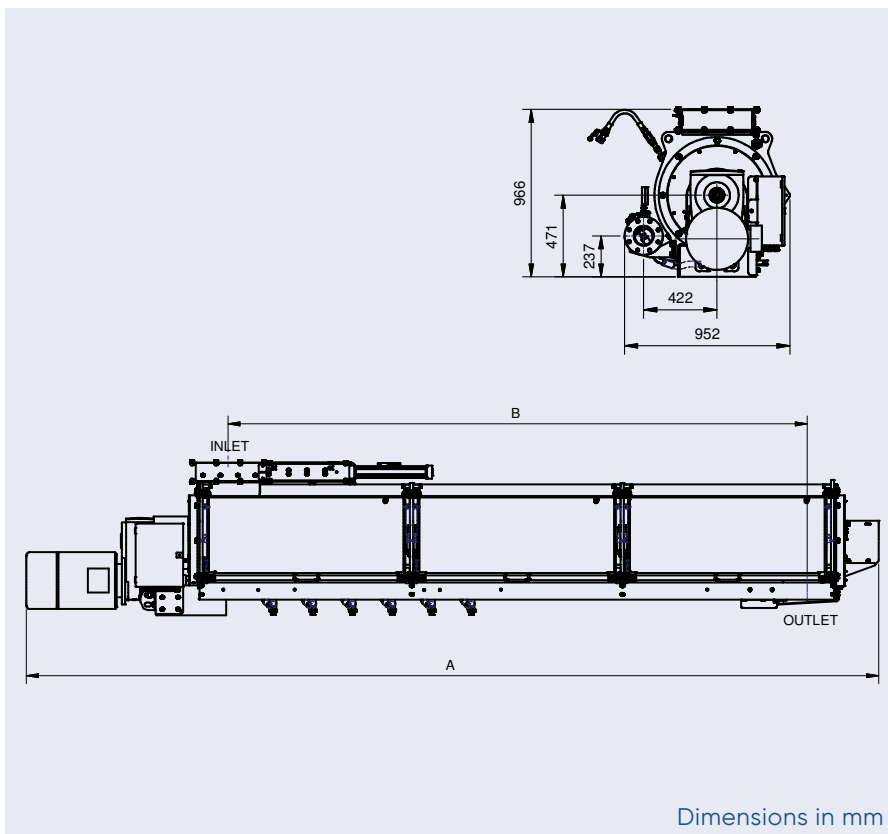
ENGINEERED SUCCESS

## CM902PH CONDITIONERS PROVIDE:

- Excellent mixing and optimum retention time
- Uniform feeding to pellet mill or extruder
- Clean-design stainless steel construction
- Easy inspection and cleaning
- Wide paddles – individually adjustable
- Closable inlet and outlets.

## CM902PH TECHNICAL FEATURES

- Closeable inlet and outlets
- 18.5 kW gear-driven motor prepared for frequency converter
- Steam manifold with six inlets
- PT100 temperature sensor located on large inspection doors
- Insulated cabinet ensuring insulation and heat tracing to maintain a surface temperature up to 90 °C.



## TECHNICAL DATA

Conditioner	Number of		Diameter	Max. volume		Max. power 50 Hz		Weight	
	A	B		doors	L	cu. ft.	kW		HP
CM902PH	4371	2640	2	600	750	26	18.5	25	1800

## ANDRITZ Feed and Biofuel A/S

andritz-fb.dk@andritz.com

p: +45 72 160 300 / andritz.com/ft



All data, information, statements, photographs and graphic illustrations in this leaflet are without any obligation and raise no liabilities to or form part of any sales contracts of ANDRITZ AG or any affiliates for equipment and/or systems referred to herein. © ANDRITZ AG 2021. All rights reserved. No part of this copyrighted work may be reproduced, modified or distributed in any form or by any means, or stored in any database or retrieval system, without the prior written permission of ANDRITZ AG or its affiliates. Due to legal requirements, we must inform you that ANDRITZ AG processes your data for the purposes informing you about the ANDRITZ GROUP and its activities. Find out more details about our data privacy declaration and your rights under the data protection legislation on our website: [andritz.com/privacy](http://andritz.com/privacy). ANDRITZ AG, Stattegger Strasse 18, 8045 Graz, Austria.



1296 GB

B 0718